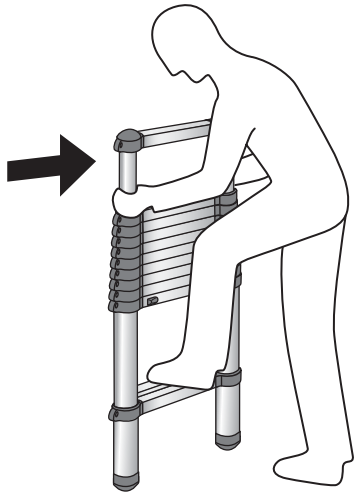
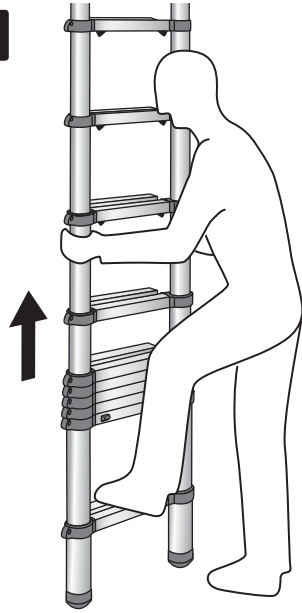
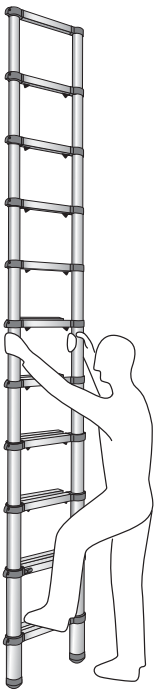
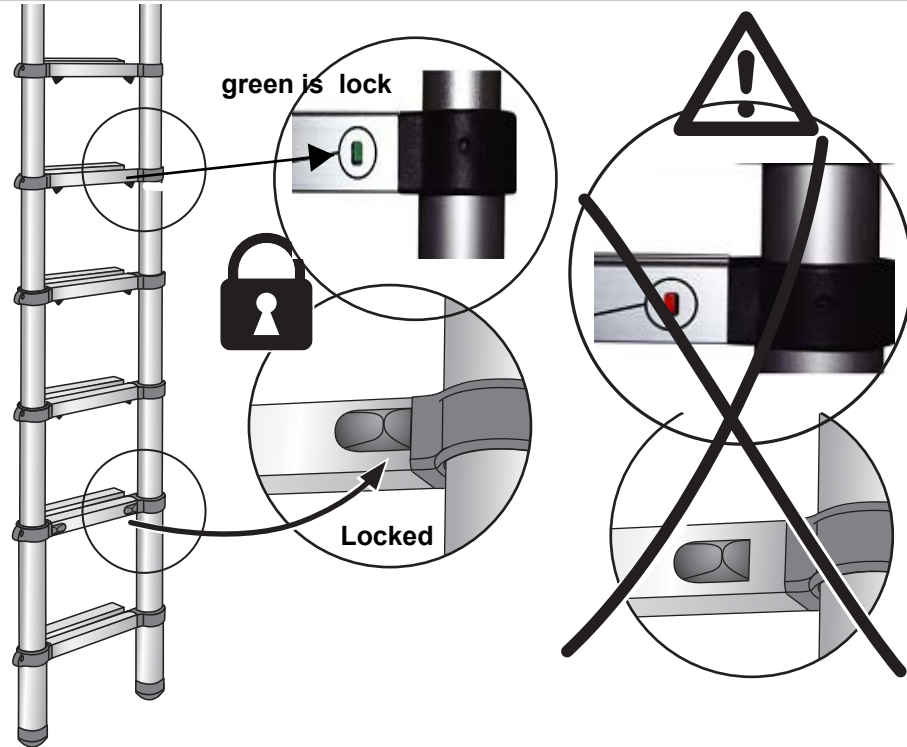
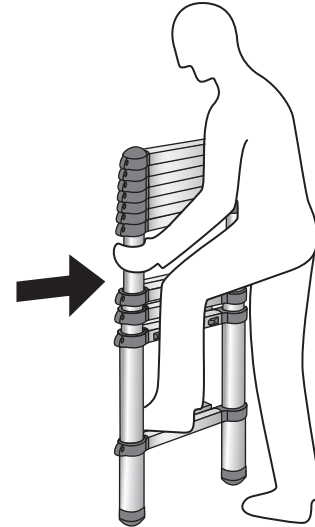
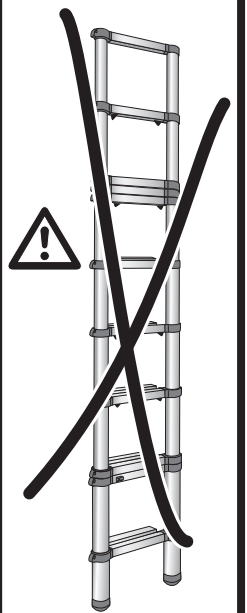
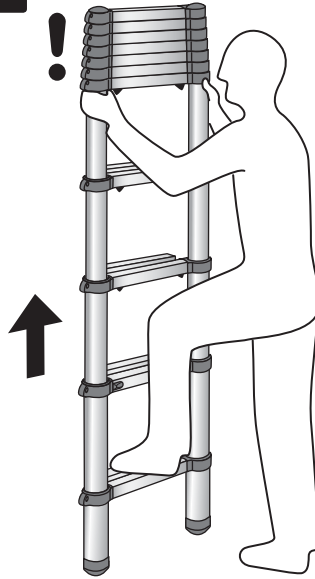
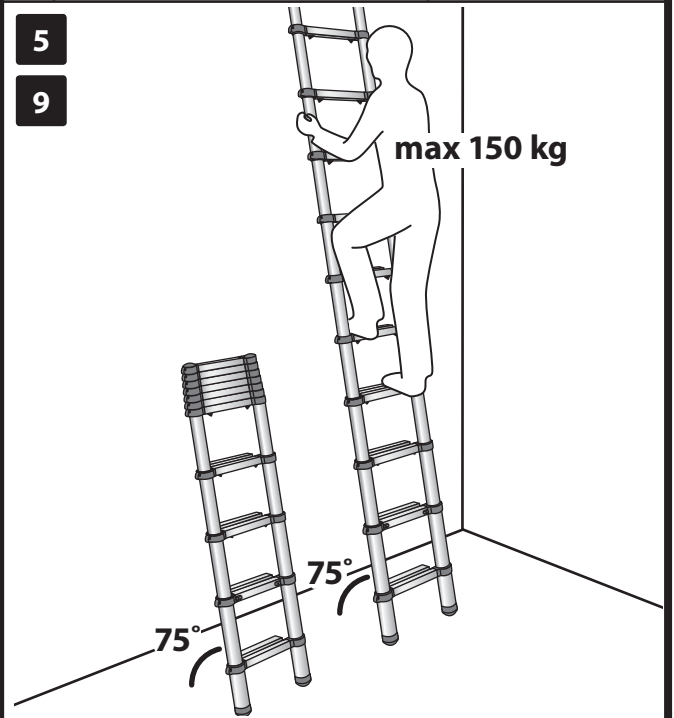
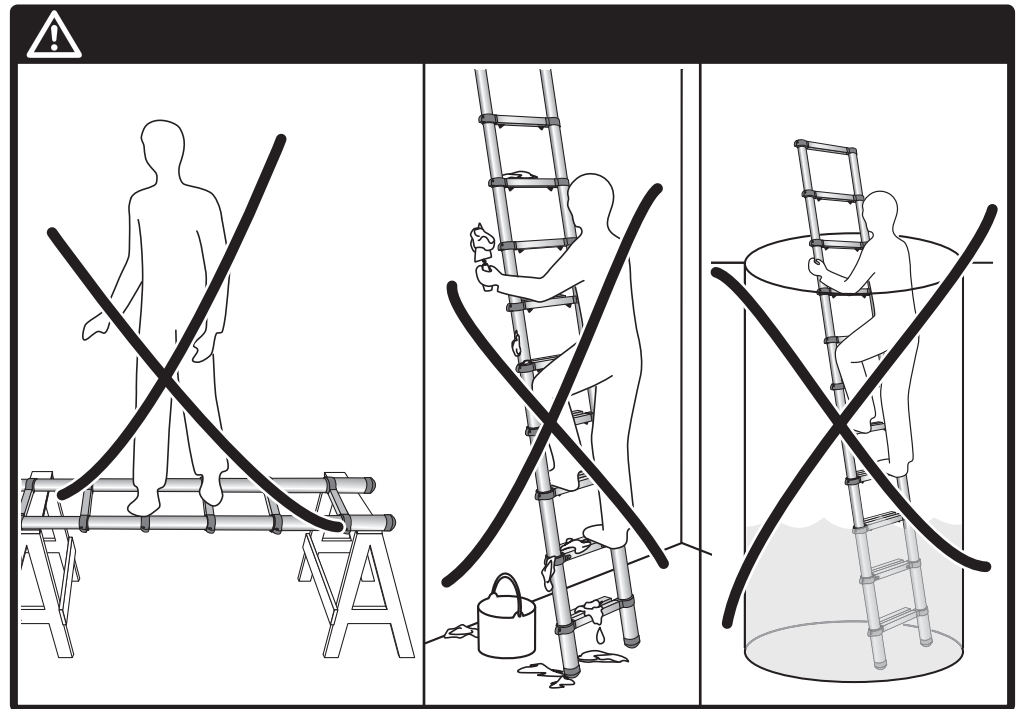
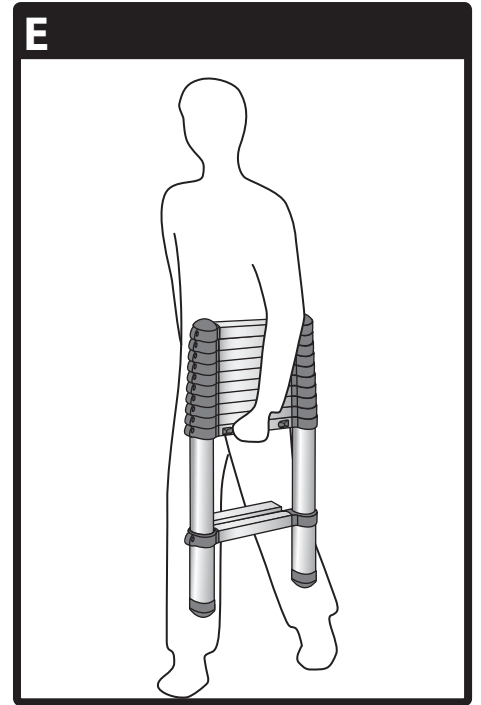
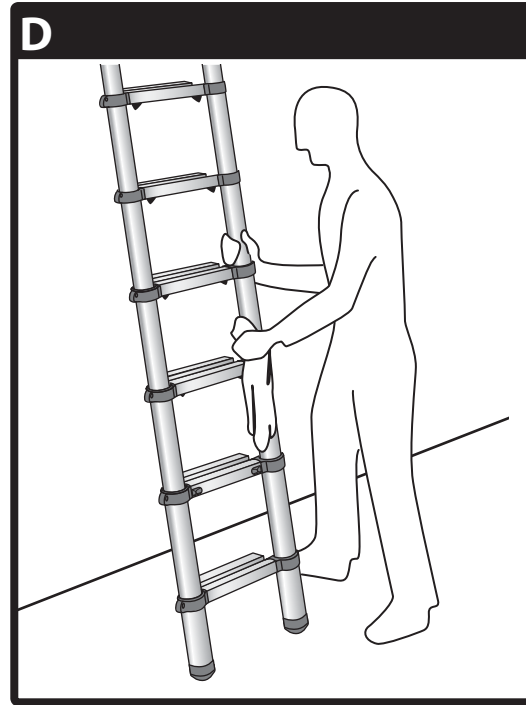
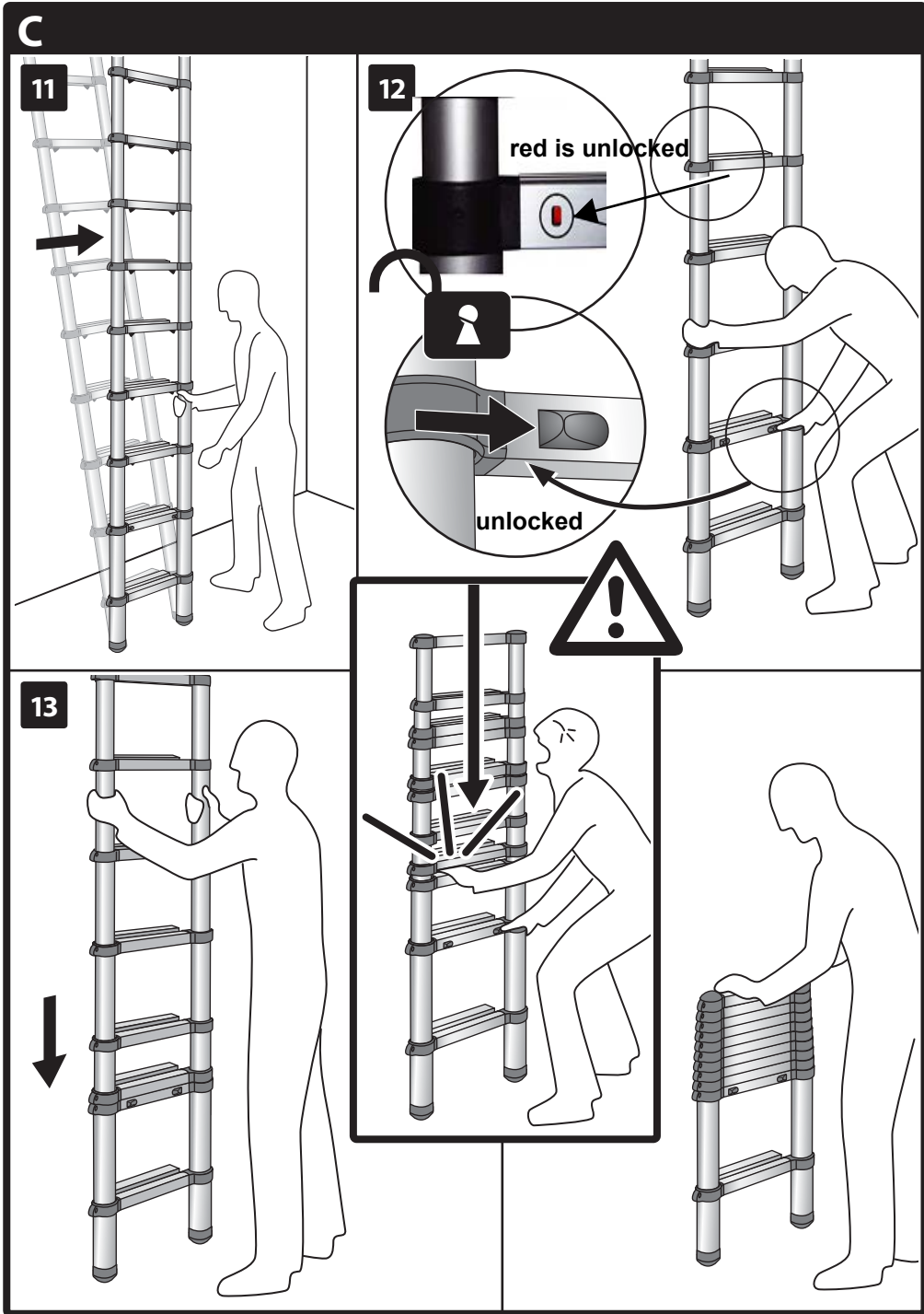


A**1****2****3****4****8****B****6****7****5****9**



INSTRUCTIONS

The telescopic ladder, with its unique design, can be expanded from a compact size to full or medium length.

In order to retain the characteristics and function of the ladder it must be used, managed and maintained as described in the instructions.

CAUTION! The telescopic ladder must always be properly locked when in use. Always check that all opened rung sections are locked before you climb the ladder.

A Opening the ladder to full length

The telescopic ladder locks automatically when you open it up. Each section has its own locking device. Opening the ladder to full length:

1. Position the ladder upright on a firm, level surface. Hold the ladder still with a foot on the bottom rung. **Begin to open the ladder from the top:** Take hold of the top rung and pull it upwards until the rung section locks.
2. Continue to open the next rung section. Check that the locking catches fall down completely.
3. Continue to open the rung sections until the ladder is completely opened to its full length. The rung sections lock automatically as they are extended.
4. **Check that all rung sections are locked:** The locking catches must protrude completely. The second step from the bottom has sliding buttons. They are locked when they have snapped out against the tube. If necessary, adjust the ladder so that all rung sections are in the locked position.
5. Once you have checked that all rung sections are locked, you can use the ladder. Position the ladder steadily with an angle of inclination of 75° in relation to the ground.

CAUTION! The leaning ladder should lean against a flat non-fragile surface and should be secured before use, e.g. tied or use of a suitable stability device.

B Opening the ladder to medium length

Opening the telescopic ladder to any intermediate length:

6. Position the telescopic ladder upright on a firm, level surface. Hold the ladder still with a foot on the bottom rung. Take hold around the rung, which you choose to be the upper rung, and pull upwards until the rung section locks.
7. Continue to open the ladder until all rung sections **below** are opened, and the remaining sections are packed together on the top of the ladder. Check that the locking catches protrude completely.
8. **Check that all opened rung sections are locked:** The locking catches must protrude completely. The second step from the bottom has sliding buttons. They are locked when they have snapped out against the tube. If necessary, adjust the ladder so that all rung sections are in the locked position.
9. Once you have checked that all opened rung sections are locked, you can use the ladder. Position the ladder steadily with an angle of inclination of 75° in relation to the ground.

NB! You cannot shorten an already opened ladder. If you need to make the ladder shorter, you must first close the ladder completely and then open it to the intermediate length required.

C Closing the ladder

Collapse the telescopic ladder as follows:

10. Clean the ladder if required (see below).
11. Hold the ladder upright in such a way that you **do not catch your fingers** when you are unlocking and closing the ladder: hold the telescopic tube a short way up the ladder to gain better balance.
12. **The entire ladder is unlocked by using the sliding buttons on the second rung from the bottom.** Unlock one sliding button at a time, all the while holding the telescopic ladder with your other hand. Release the sliding button to the right with your right hand and the button to the left with your left hand.
13. Hold the ladder's telescopic tubes a little way up the ladder and close it **carefully** using both hands.

CAUTION RISK OF INJURY! Do not put your hands on or between the rungs when you are unlocking and closing the ladder. Close each rung section carefully.

D Cleaning

For reasons of safety and functionality, the telescopic ladder must always be kept clean, particularly the telescopic tubes and rungs. Dirt, filings, paint spots, glue etc. must be wiped away after each use, and before the ladder is closed. Clean the ladder using a rag and a small amount of solvent. Once clean, the telescopic tubes can be treated with silicon spray. Spray in the tube and wipe dry with paper or a cloth. The ladder must always be kept dry so that dust does not cling to it.

E Transport and storage

Carry the telescopic ladder upright in its compact format so that it does not expand and open up. Always transport the telescopic ladder completely closed and compacted. This protects the telescopic tubes against impact and damage that could impair the functionality of the ladder. When transporting the ladder on roof bars or in a truck, ensure it is suitably placed to prevent damage.

The telescopic ladder shall be stored

- completely closed in compact format
- away from areas where its condition could deteriorate more rapidly (e.g. dampness, excessive heat, exposed to the elements)
- where it cannot be damaged by vehicles, heavy objects, or contaminants
- where it cannot cause a trip hazard or an obstruction
- where it cannot be easily used for criminal purposes, preferably padlocked
- secured against unauthorised climbing (e.g. by children) if it is permanently positioned (e.g. on scaffolding).

Before Use

- The owner of the ladder shall provide the user with the user manual.
- Inspect the ladder after delivery and before first use to confirm condition and operation of all parts.
- Ensure that you are fit enough to use a ladder. Certain medical conditions or medication,

INSTRUCTIONS

alcohol or drug abuse could make ladder use unsafe.

- Visually check the ladder is not damaged and is safe to use at the start of each working day when the ladder is to be used, see "Care and maintenance" below.
- For professional users regular periodic inspection is required.
- Ensure the ladder is suitable for the task.
- Do not use a damaged ladder.
- Remove any contamination from the ladder, such as wet paint, mud, oil or snow.
- Before using a ladder at work a risk assessment should be carried out respecting the legislation in the country of use.
- The ladder shall be used and stored at an ambient temperature of -20°C to 60 °C.

Positioning

- Check that the ladder is properly locked before use.
- The ladder shall be erected at the correct position, with an angle of inclination of 75° in relation to the ground, and with the rungs level.
- The ladder shall be on an even, level and unmovable base. The ladder must not lean sideways, have no load on one foot or be positioned on slippery surfaces.
- The leaning ladder should lean against a flat non-fragile surface and should be secured before use, e.g. tied or use of a suitable stability device. Do not lean the ladder against its rungs – use the stiles.
- The ladder shall never be repositioned from above.
- Take into account risk of collision with the ladder e.g. from pedestrians, doors or vehicles.
- Identify any electrical risks in the work area, such as overhead lines or other exposed electrical equipment.
- The ladder shall be stood on its feet, not the rungs.
- Ladders shall not be positioned on slippery surfaces (such as ice, shiny surfaces or significantly contaminated solid surfaces) unless additional effective measures are taken to prevent the ladder slipping or ensuring contaminated surfaces are sufficiently clean.

INSTRUCTIONS

Use

- The maximum load for the ladder is 150 kg.
- The ladder must not be used with irregular section heights.
- Do not stand on the top three rungs of a leaning ladder.
- The ladder must not be used suspended.
- The ladder must not be opened, closed or used upside down.
- The ladder must not be used in a horizontal position or as a bridge. In an emergency situation the ladder can be used as a stretcher, provided it is not extended more than 2 metres.
- Do not use the ladder for dirty work or in dirty environments. If, for example, the ladder is used for bricklaying, concreting or painting, over time it may become hard to keep it clean, impairing the telescopic function.
- Do not use the ladder in wells filled with water, as dirt can get into the telescopic tubes and impair function.
- Do not subject the telescopic tubes to impact or other rough treatment. Damage to the tubes impairs the telescopic function.
- Do not overreach. User should keep their belt buckle (navel) inside the stiles and both feet on the same step/rung throughout the task.
- Do not step off a leaning ladder at a higher level without additional security, such as tying off or use of a suitable stability device.
- Ladders should only be used for light work of short duration.
- Use non-conductive ladders for live electrical work.
- Do not use the ladder outside in adverse weather conditions, such as strong wind.
- Take precautions against children playing on the ladder.
- Secure doors (not fire exits) and windows where possible in the work area.
- Face the ladder when ascending and descending.
- Keep a secure grip on the ladder when ascending and descending.
- Wear suitable footwear when climbing a ladder.
- Avoid excessive side loadings e.g. drilling brick and concrete.
- Do not spend long periods on a ladder without regular breaks (tiredness is a risk).

- Leaning ladders used for access to a higher level should be extended at least 1 m above the landing point.
- Equipment carried while using a ladder should be light and easy to handle.
- Maintain a handhold whilst working from a ladder or take additional safety precautions if you cannot.

Care and maintenance

The telescopic ladder is a precision tool. Treat it with care and it will retain its unique properties.

Always keep the ladder clean, particularly the telescopic tubes.

The telescopic ladder must not be used without rubber feet (slip protection) and end caps. The end caps at the top of the ladder prevent dust, metal chips or similar from getting into the telescopic tubes and thus impairing the function of the ladder. The rubber feet and end caps of the ladder are parts that eventually wear out and can be obtained from retailers. Replace the caps when they start to wear.

The pull rings of the locking mechanism must not be replaced by other types of pull rings. Only genuine spare parts must be used for safety reason. If the pull rings need to be replaced, contact the local retailer.

Any repair work must always be carried out by an authorised service workshop. Don't use the ladder if it needs to be repaired. Contact the retailer.

NB! If the instruction decal on the ladder begins to wear and is difficult to read, you should order a new one. See the address at the back of the instructions or contact your local retailer.

Before use check that

- the stiles (uprights) are not bent, bowed, twisted, dented, cracked or corroded
- the telescopic tubes around the fixing points for other components are in good condition
- fixings (usually rivets, screws or bolts) are not missing, loose, or corroded
- rungs are not missing, loose, excessively worn, corroded or damaged
- rubber feet and end caps are not missing, loose, excessively worn, corroded or damaged
- the entire ladder is free from contaminants (e.g. dirt, mud, paint, oil or grease)
- locking catches are not damaged or corroded and function correctly.

CAUTION! If any of the above checks cannot be fully satisfied you should NOT use the ladder.

INSTRUCTIONS

GUARANTEE CONDITIONS

The manufacturer guarantees that the product is free from material or manufacturing faults. If material or manufacturing faults, or damage due to material or manufacturing faults, can be proven, the buyer is entitled to have the product repaired or replaced in accordance with the local laws concerning sales of consumer goods in the country of purchase.

Extended guarantee

The manufacturer is responsible for faults in the product, for one year from the purchase date.

Scope of the guarantee

The manufacturer is not responsible for faults in the product, if it is clear that the fault is due to it:

- not being used as described in these instructions
- not being cleaned, cared for, maintained, stored or transported in accordance with these instructions
- being rebuilt, modified or subjected to other external damage or accident
- unintentionally being damaged by any object or substance
- being overloaded
- being repaired by an unauthorised service partner or if non original spare parts have been used
- being incorrectly set up.

The following are not considered as faults:

- normal wear and tear
- parts subjected to fair wear and tear.

Complaints

Proof of purchase must be presented for any guarantee claims. If the purchaser wishes to make a claim with regard to a fault, the dealer must be notified of the fault within a reasonable time after the fault has been discovered, or within the time period regulated by the country of purchase.

Service and repair

Any service or repair work must always be carried out by an authorised service workshop, which then determines suitable action in each individual case. In case of repairs, only original spare parts may be used. Contact your dealer to find the location of your nearest authorised service workshop, or consult the contact information at the back of the instructions.

GB

GB