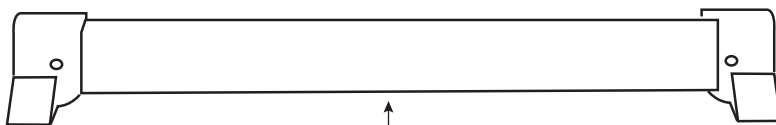
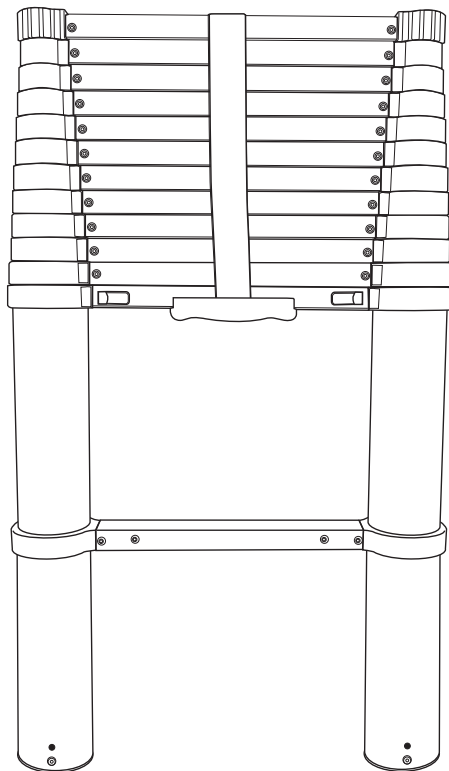


TELESCOPIC LADDER

2.0m, 2.6m, 3.2m, 3.8m

Instruction Manual



Please note that the 3.8m and 3.2m ladder is represented in the images, the 2.0m and 2.6m ladder does not come with the stabiliser bar.

CONTENTS

Safety Instructions	1
Safety Instructions	2
Safety Instructions	3
Safety Symbols	4
Specification	5
Fitting the Stabiliser Bar	6

Operation, Locking Mechanism

7

Operation

8

Operation

9

Storage, Care & Maintenance, Troubleshooting

10

Before Use: Risk Assessment

11

WARNING

PLEASE READ THESE INSTRUCTIONS CAREFULLY AND KEEP FOR FUTURE REFERENCE

WARNING! Failure to adhere to the warnings and instructions contained in this manual and on the product could result in serious or fatal injury.

INTENDED USE

The Telescopic Ladder is designed and intended for domestic use, as a climbing aid in the home and garden and for hobbies.

This ladder is not a toy. Children should be supervised at all times to ensure they do not play with the ladder system.

Only use the ladder system as described in these instructions. Any other use is deemed improper and may result in damage to property, personal injury or even death.

BEFORE USE

ENSURE THAT YOU ARE FIT ENOUGH TO USE A LADDER. CERTAIN MEDICAL CONDITIONS OR MEDICATION, ALCOHOL OR DRUG ABUSE COULD MAKE LADDER USE UNSAFE.

Before using the ladder it shall be checked that all locking mechanisms are working properly. If the mechanism is not working properly, do not use the ladder.

Wear tight-fitting clothing, remove jewellery and tie long hair back when using the ladder.

Always wear suitable footwear when climbing a ladder; flat, dry, treaded, shoes with securely tied laces are considered appropriate footwear.

Ensure that the surface you will rest the ladder against is capable of supporting the combined weight of the ladder, operator and any carried objects.

Doors (but not fire doors or similar), windows and areas of entry/exit should be secured when using the ladder.

All distractions should be reasonably avoided. Always set up the Telescopic Ladder so that it is always freely accessible.

When transporting ladders on roof bars or in a truck, ensure they are suitably placed and secured to prevent damage.

The ladder shall be inspected after delivery and before every use to confirm condition and operation of all parts. Use the checklist provided in the '**Before Use: Risk Assessment**' section of this manual.

Visually check that the ladder is not damaged and is safe to use at the start of each working day when the ladder is to be used.

Remove any contamination from the ladder, such as wet paint, mud, oil or snow.

For professional users, regular periodic inspection is required.

Before using a ladder at work, a risk assessment should be carried out respecting the legislation in the country of use.

Ensure the ladder is suitable for the task. If unsure, contact a qualified person for guidance.

Do not use a damaged or otherwise unsuitable ladder.

POSITIONING AND ERECTING THE LADDER

Ensure the ladder is fully collapsed, all locks are secured and the ladder is free from contaminants before moving to the area of work. Only erect and close in a safe work area. Do not move the ladder when erect.

Only position and use the ladder on an even, level and unmoveable base.

When positioning the ladder, take into account risk of collision with the ladder e.g. from pedestrians, vehicles or doors. Secure doors (not fire exits) and windows where possible in the area.

WARNING

PLEASE READ THESE INSTRUCTIONS CAREFULLY AND KEEP FOR FUTURE REFERENCE

Identify any electrical risks in the work area, such as overhead lines or other exposed electrical equipment. This ladder does not offer insulation or protection from electrical hazards.

The ladder shall be only be positioned flat on its feet, not the rungs or steps.

Never position or use the ladder on slippery surfaces (such as ice, shiny surfaces or significantly contaminated solid surfaces) unless additional effective measures are taken to prevent the ladder slipping or ensuring contaminated surfaces are sufficiently clean.

The ladder shall be erected at the correct position, such as the correct angle for a leaning ladder (angle of inclination approximately 1:4) with the rungs or treads level (e.g. 1m away from the base of a wall if extending to climb 4m up).

Always position the ladder against a flat, non-fragile surface and secure properly before use e.g. tied down or with the use of a suitable stability device.

The locking mechanisms for all the extended rung sections shall be locked before using the ladder.

Never attempt to move or reposition the ladder from above.

USING THE LADDER

Do not exceed the maximum total load of 150kg/330lbs for this ladder.

Only allow one person to use the ladder at any time.

Ladders should only be used for light work of short duration.

Use non-conductive ladders for unavoidable live electrical work. This ladder is not suitable for live electrical work as it is conductive and offers no protection from electrical hazards.

Never erect or use the ladder upside down. The base should always sit firmly on the ground.

Do not use the ladder outside in adverse weather conditions, such as strong wind or rain.

Do not leave an extended ladder unattended.

Take precautions against children playing on the ladder.

Do not place any tools or other objects on the rungs and do not hang anything on the ladder system.

Equipment carried while using a ladder should be light and easy to handle.

Face the ladder and keep a secure grip when ascending and descending.

Do not slide down the stiles of the ladder. Climb and descend with deliberate movements.

Always maintain 3 points of contact with the ladder at all times e.g. two feet on the same rung and a hand on the stiles. Use additional safety equipment if this is not possible.

Maintain a handhold whilst working from a ladder or take additional safety precautions if you cannot.

Do not overreach; always keep your belt buckle (navel) inside the stiles and both feet on the same step/rung throughout the task.

Avoid work that imposes a sideways load on ladders, such as side-on drilling through solid materials (e.g. brick or concrete).

In the leaning ladder position it is not allowed to climb higher than last metre of the ladder.

The user shall put the hands around the stile when bringing the ladder from extended to storage position.

WARNING

PLEASE READ THESE INSTRUCTIONS CAREFULLY AND KEEP FOR FUTURE REFERENCE

Do not stand on the top three rungs on the ladder; this can cause stability issues.

Do not use the ladder as a bridge.

Leaning ladders used for access to a higher level should be extended at least 1m above the landing point

Do not step off a leaning ladder at a higher level without additional security, such as tying off or use of a suitable stability device.

Do not step off the side of the ladder.

Do not spend long periods on a ladder without regular breaks (tiredness is a risk).

Take care when closing the ladder to not catch any fingers, clothing or hair in the mechanisms. Close one rung at a time.

REPAIR, MAINTENANCE AND STORAGE

Fully collapse the ladder, closing all rungs, and secure before storage or handling.

Clean with a suitable proprietary household cleaner and a soft dry cloth. Dry all parts thoroughly before storing.

Do not submerge your ladder in water or any liquid for any reason.

Store your ladder indoors in a dry environment away from other contaminants. Do not rest other objects on the ladder. Only store the ladder when it is dry.

Do not subject your ladder system to humid or damp environments. These can damage the ladder.

Store the correct way up. The base should always sit on the ground.

Repairs and maintenance shall be carried out by a competent person with suitable replacement parts. Unapproved third party spares are not recommended and will void your warranty.

For the angle indicator on the ladder, the red line should be vertical with the floor when the ladder is in use.

SAFETY SYMBOLS

The following GREEN SQUARE pictograms indicate proper use. The following RED CIRCLE pictograms indicate misuse and are provided as a visual reminder for use. They are not an exhaustive list of use instructions or warnings. Care, diligence and common sense must be provided by the user when using the ladder to avoid accident or injury.

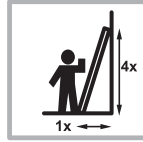
Failure to follow any provided instructions will void your warranty and could be considered misuse.



Read all instructions before use



Maximum load of 150kg/330lbs



Erect at the correct angle



Extend ladder 1m above landing point



Erect on a level base



Erect on a firm base



Ensure the ground and ladder are free from contaminants



Use the correct way up

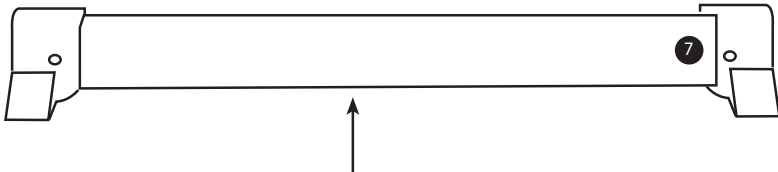
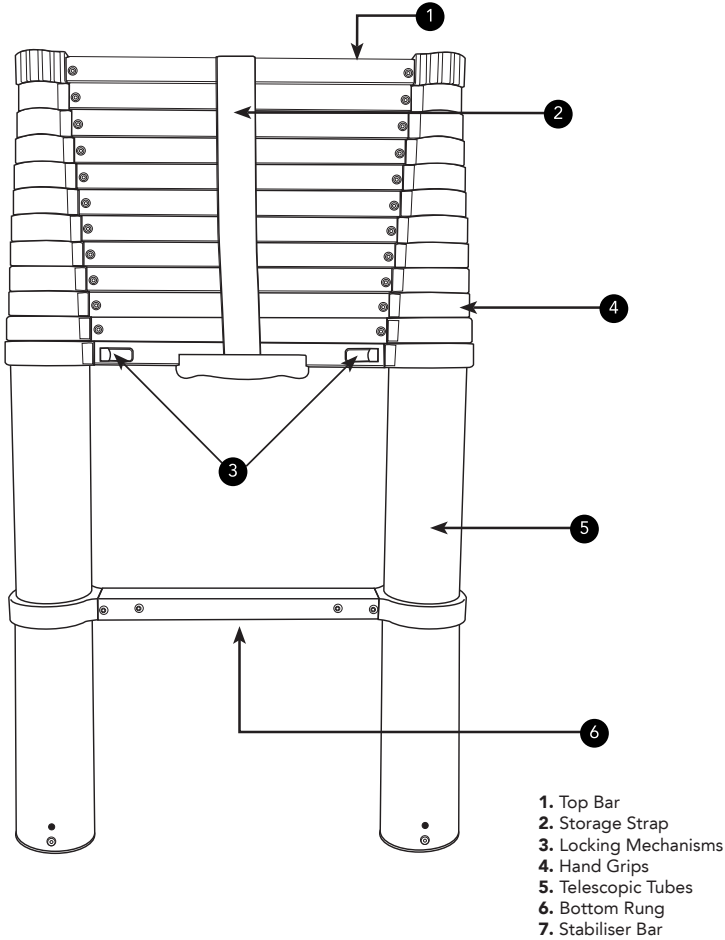


Do not overreach



Do not step off the side of the ladder

SPECIFICATION



Please note that the 3.8m and 3.2m ladder is represented in the images, the 2.0m and 2.6m ladder does not come with the stabiliser bar.

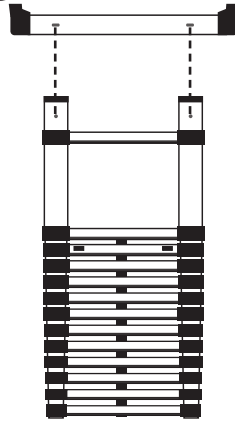
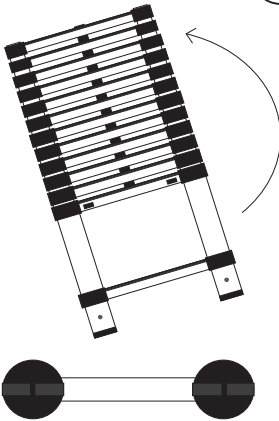
FITTING THE STABILISER BAR



WARNING! The Stabiliser Bar must be fitted before use (Stabilising Bar is only supplied with 3.8m ladder and 3.2m ladder)



Tools required



1. Flip the Telescopic Ladder vertically so that the feet are accessible. You will notice plastic pins in the slot on each foot. In order to fit the Stabiliser Bar (7), these pins will need to be snapped. This can be done easily using a flathead screwdriver.

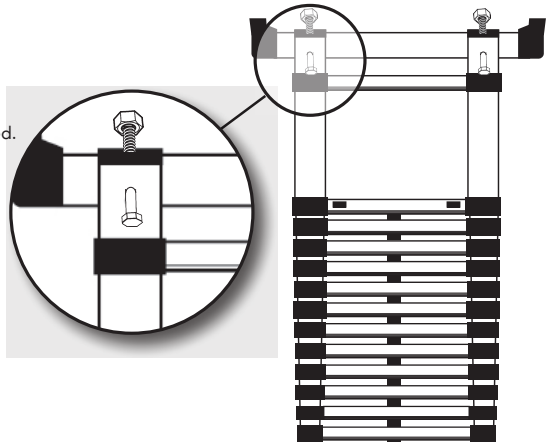
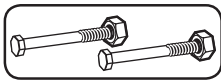


2. Once the pins have been snapped and removed, the Stabiliser Bar will fit into the slots. You will need to line up the holes on the Stabiliser Bar with the holes on the legs of the Telescopic Ladder.

NOTE: You may need a rubber mallet to carefully tap the Stabiliser Bar into the slots securely.

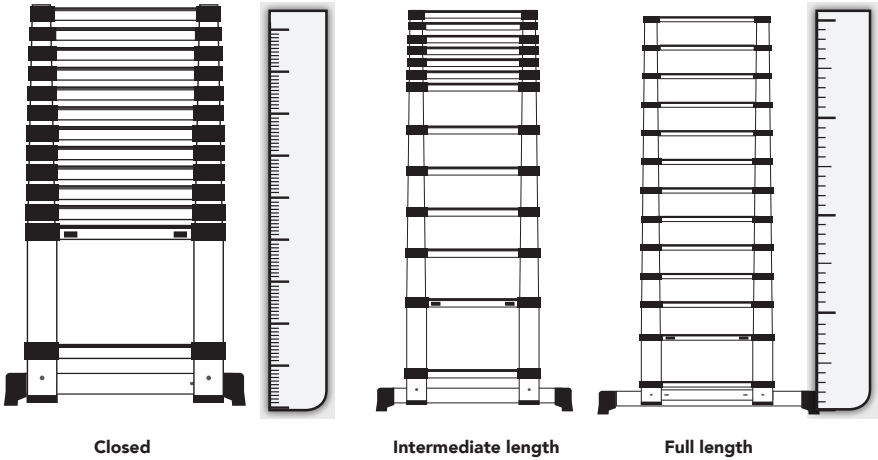


3. With the Stabiliser Bar slotted onto the feet of the Ladder, secure into place using the 2 bolts provided. Tighten the bolts with a wrench to secure.



OPERATION

The Telescopic Ladder can be used at various heights for different tasks.

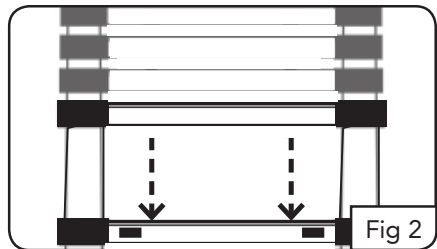
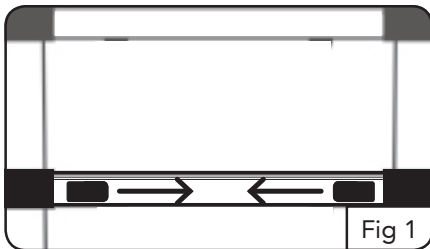


NOTE: The Telescopic Ladder should be inclined using the 1-4 rule; for every **4 parts up**, the Ladder should be placed **1 part out** (e.g. 2m up, 50cm out).

LOCKING MECHANISM

The Locking Mechanisms (3) lock each rung with 2 steel locking pins that automatically spring into place when the Ladder is extended.

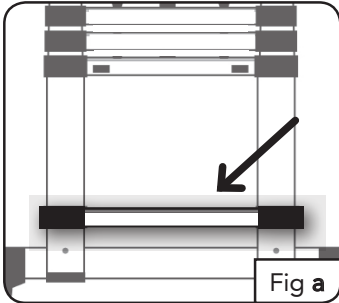
CAUTION: Ensure all Locking Mechanisms are engaged before and after use.



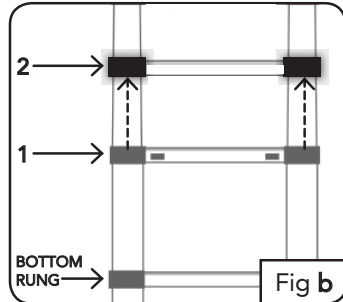
To collapse the Telescopic Ladder down to its closed position, push the Locking Mechanisms (3) together simultaneously (FIG 1) and release.

OPERATION

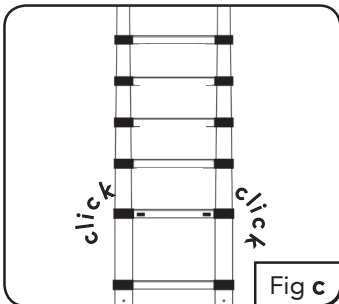
TO OPEN THE LADDER TO INTERMEDIATE LENGTH



Place the Telescopic Ladder on a firm, level surface. Place your foot on the Bottom Rung (6) to stabilise the Ladder.



Starting with the second rung from the bottom, use both hands to grasp the Hand Grips (4) on either side of the rung and pull upwards to extend the step.



When each step is fully extended, you should hear a "click", confirming that the Locking Mechanisms (3) are engaged for that level.

CLOSING THE LADDER

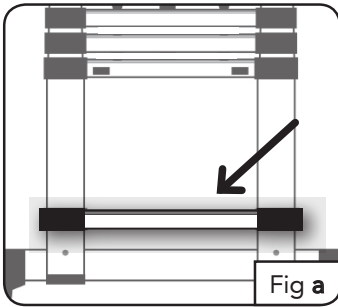
Hold the Telescopic Ladder in an upright position.

Place one foot on the Bottom Rung (6) to stabilise the Ladder.

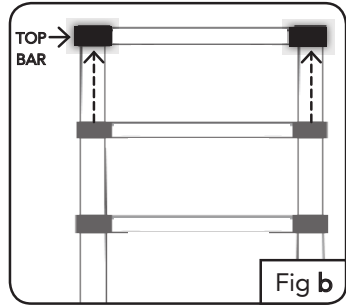
Starting at the lowest extended rung, use both hands to grasp the Hand Grips (4) on either side of the rung, then, with your thumbs, disengage the Locking Mechanisms (3).

OPERATION

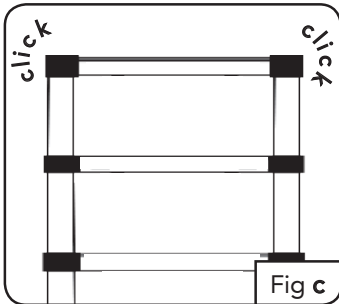
TO OPEN THE LADDER TO FULL LENGTH



Place the Telescopic Ladder on a firm, level surface. Place your foot on the Bottom Rung (6) to stabilise the Ladder.



Starting with the Top Bar (1), use both hands to grasp the Hand Grips (4) on either side of the rung and pull upwards to extend the step.



When each step is fully extended, you should hear a "click", confirming that the Locking Mechanisms (3) are engaged for that level.

IMPORTANT: If you are opening the Ladder to its full length, you should always extend from top to bottom.

STORAGE

Store this product carefully in a secure, dry place, out of reach of children.

CARE & MAINTENANCE


To get the most out of your Telescopic Ladder, and for safety purposes, always clean the Ladder before and after use.

The Telescopic Tubes (5) must be kept clean; dirt, filings, paint, glue etc. must be cleaned away using a clean cloth after use and before the Ladder is closed. Take care to also clean the rungs.

TIP: For tougher stains, a small amount of non-abrasive cleaner can be added to a soft tissue or cloth. After cleaning, the Telescopic Tubes must be treated with a silicon spray by opening all sections of the Ladder, spraying and wiping them clean with a paper towel or dry cloth. **The Ladder must always be dry.**

The end caps of the Ladder must always be sealed to prevent the ingress of dirt and other objects into the body which may cause the Telescopic Tubes to become damaged.

Any damage to your Telescopic Ladder should be repaired by a qualified person only.

 **WARNING!** Do not use your Ladder if damaged as this poses a severe risk of accident or injury and will void your warranty.

TROUBLESHOOTING

PROBLEM	SOLUTION
LOCKING MECHANISMS WILL NOT ENGAGE	The rungs are not properly positioned. Extend to the maximum height for the rung and attempt to secure again.
TELESCOPIC TUBES ARE STIFF	The Ladder is dirty/contaminated and must be cleaned as instructed in the 'Care & Maintenance' section above.

BEFORE USE: RISK ASSESMENT

INSPECTION POINT	YES	NO
RUNGS: Are any rungs loose, cracked, bent, worn or missing?		
RAILS: Are any rails loose, cracked, bent, split, frayed or worn?		
LABELS: Are any labels missing or unreadable?		
RUNG LOCKS: Are any rung locks loose, stuck, missing or broken?		
HARDWARE: Is any hardware (screws/bolts/fixings) missing, loose or broken?		
SHOES: Are the shoes worn, broken, unstable, loose or missing?		
STABILITY BAR (where provided): Is the bar loose, cracked, bent worn or missing?		
ADDITIONAL POINTS		
CLEANLINESS: Is the ladder free from dirt/water/oil or other contaminants which may impair safety or function?		Clean and dry the ladder before use.
SECURE AREA: Have all doors (excluding fire doors or exits), windows and distractions been secured and taken care of to prevent accident?		Secure all points before use.
FIT FOR PURPOSE: Are you confident that the ladder and any tools are fit for purpose and suitable for the task at hand?		Seek alternatives suitable for the task.
ADDITIONAL MEASURES: Have any additional safety measures necessary for the task been taken? (i.e. securing of the ladder, well lit environment, safety risk assessment been made?)		Do not proceed until all appropriate measures have been taken.

NOTE: Scan or photocopy this page for reuse as necessary.

WARNING! If any inspection points are marked as "no", do not use. Seek suitable repairs or replacement.